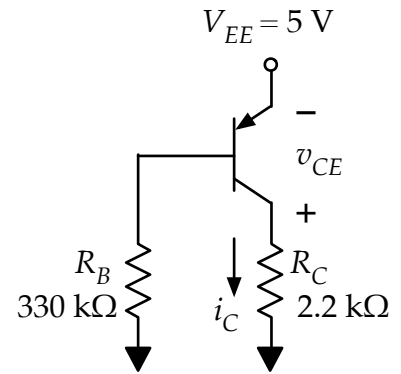


For each of the PNP transistor circuits shown, calculate i_C and v_{CE} . The PNPs both have $\beta_F = 75$.

$i_C =$ _____

$v_{CE} =$ _____



$i_C =$ _____

$v_{CE} =$ _____

