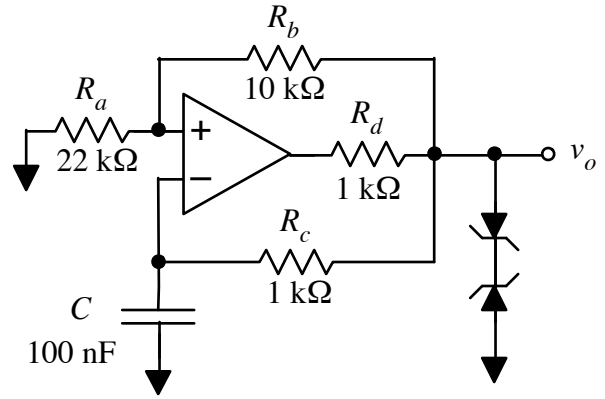


Calculate the oscillation frequency of the non-linear oscillator shown at right. The op amp has ± 10 V power supplies and otherwise is ideal. The breakdown voltage of the two Zener diodes is 5 V.



Notes:

- R_d plays no role in the oscillation — its purpose is to keep the Zener diodes from burning out.
- When forward-biased, a Zener diode behaves exactly like a “regular” diode.

$f =$ _____