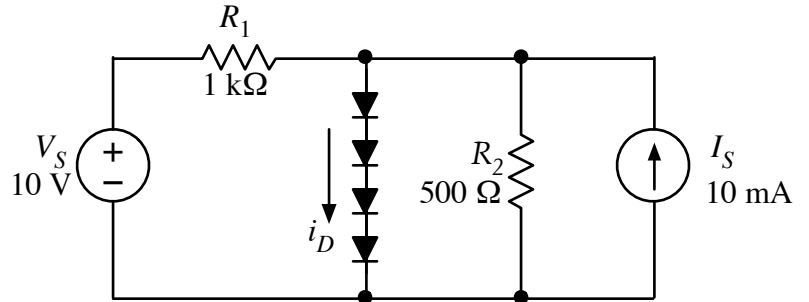


Find the current flowing through the string of diodes. Use the on/off model for the diodes



$i_D =$ _____

Repeat for $V_S = 1.5\text{ V}$ and $I_S = 10\text{ mA}$.

$i_D =$ _____

Repeat for $V_S = 5\text{ V}$ and $I_S = -10\text{ mA}$. (i.e. The direction of I_S is reversed.)

$i_D =$ _____