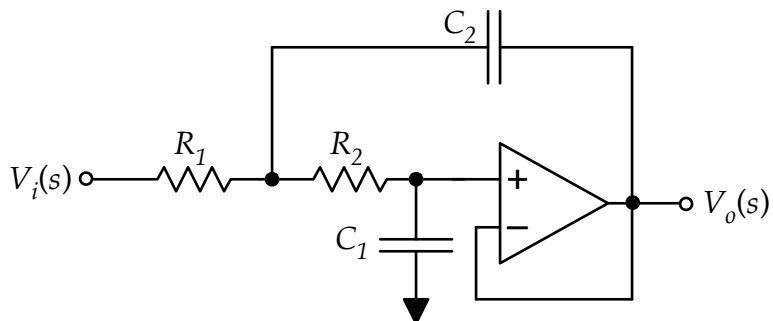


Calculate the transfer function for the circuit shown below. Express your result as a ratio of two polynomials.



$$T(s) = V_o(s)/V_i(s) = \underline{\hspace{10cm}}.$$