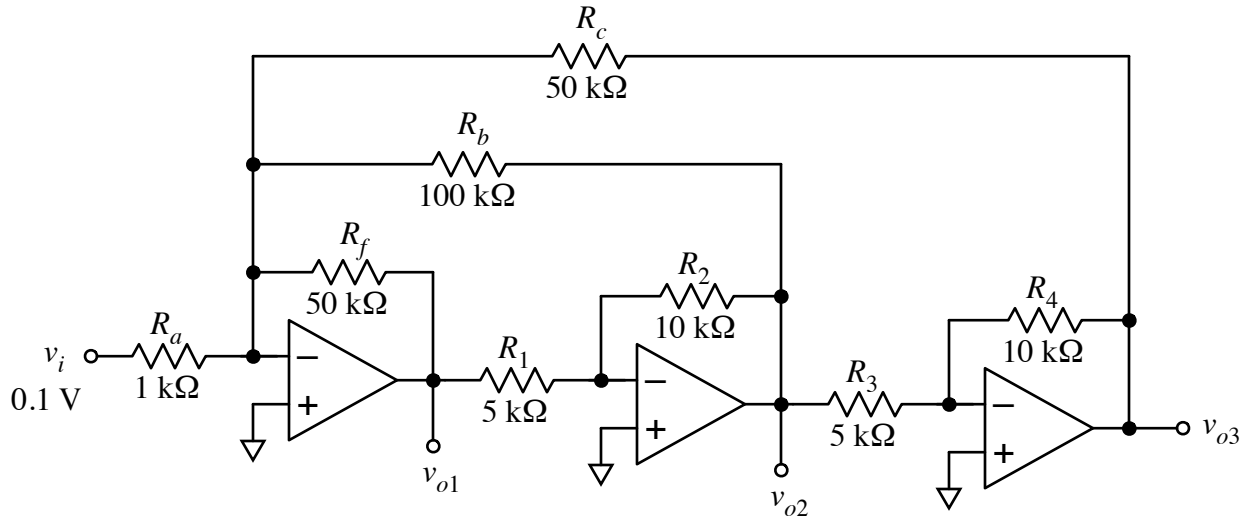


For the circuit below, calculate the three indicated output voltages, v_{o1} , v_{o2} , and v_{o3} .

Note: Identify the function of each of the individual op-amps, particularly the first (left-most) one. Then start by finding an expression for v_{o1} .



$v_{o1} =$ _____, $v_{o2} =$ _____, $v_{o3} =$ _____