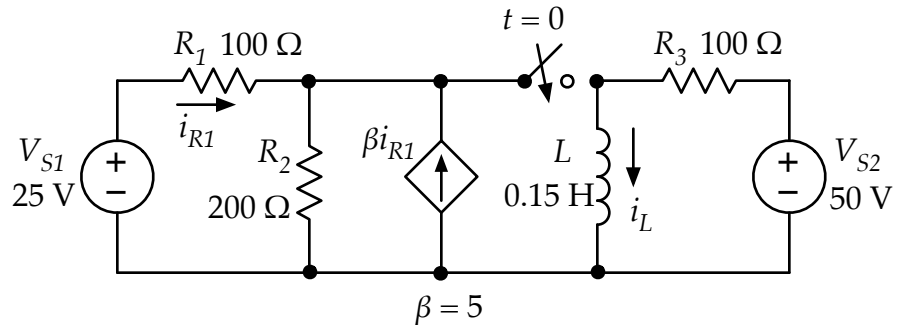


The switch in the circuit at right closes at $t = 0$. Find the expressions for $i_L(t)$ and $v_L(t)$. Calculate the inductor current and voltage at $t = 15$ ms.



$i_L(t) =$ _____

$v_L(t) =$ _____

$i_L(15 \text{ ms}) =$ _____ ; $v_L(15 \text{ ms}) =$ _____