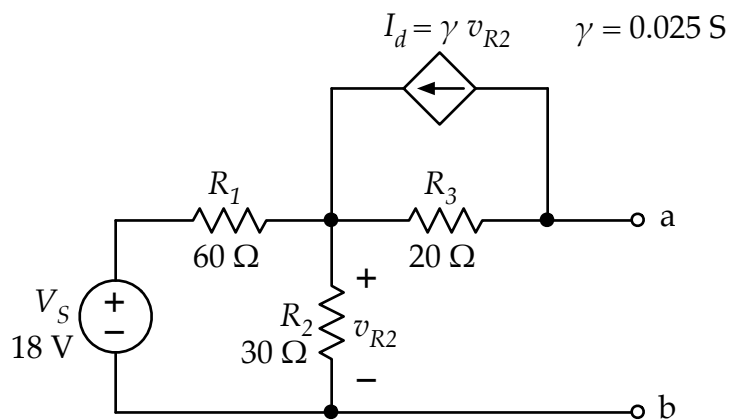


Find the Norton equivalent of the circuit with respect to terminals  $a$  and  $b$ , as shown below



$I_N =$  \_\_\_\_\_       $R_N =$  \_\_\_\_\_