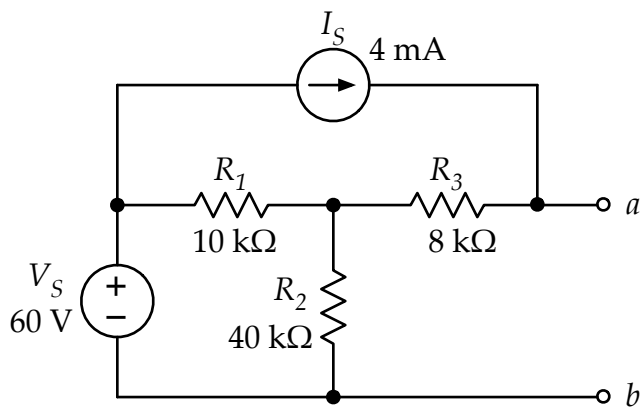


Find the Thevenin equivalent of the circuit with respect to terminals  $a$  and  $b$ , as shown below.



$V_{Th} =$  \_\_\_\_\_

$R_{Th} =$  \_\_\_\_\_