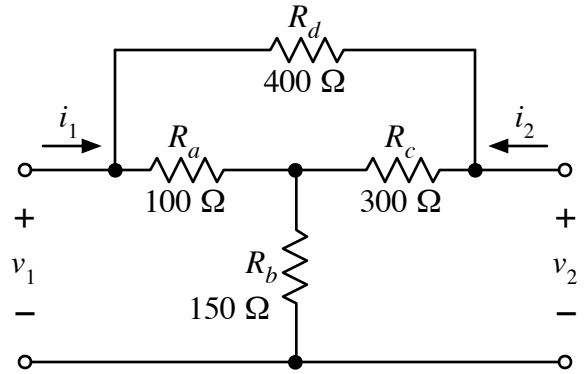


For the purely resistive circuit shown at right, Use SPICE to determine the parameters for the two-port equivalent as shown below.



$R_1 =$ _____

$a_{21} =$ _____

$R_2 =$ _____

$a_{12} =$ _____

