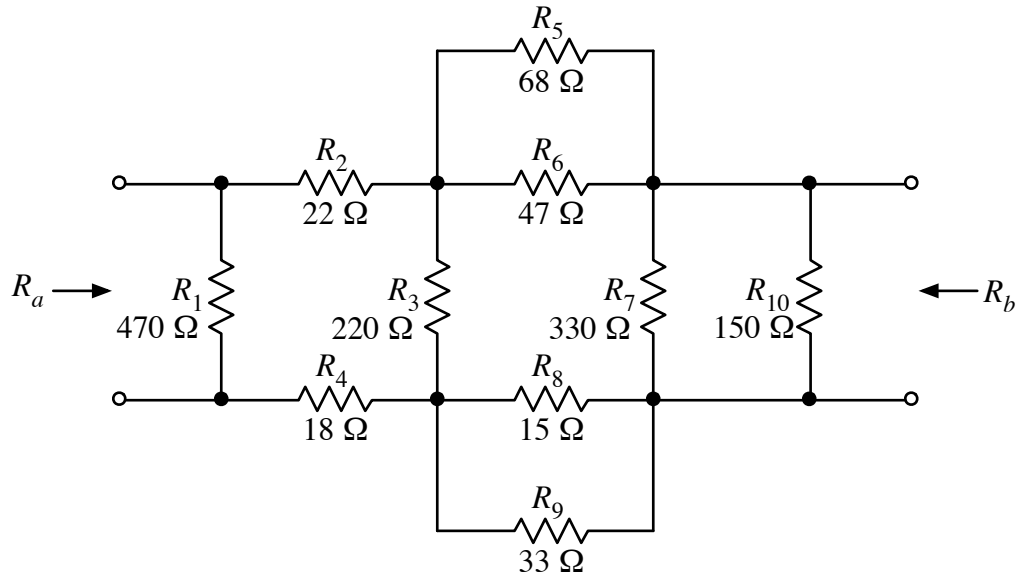


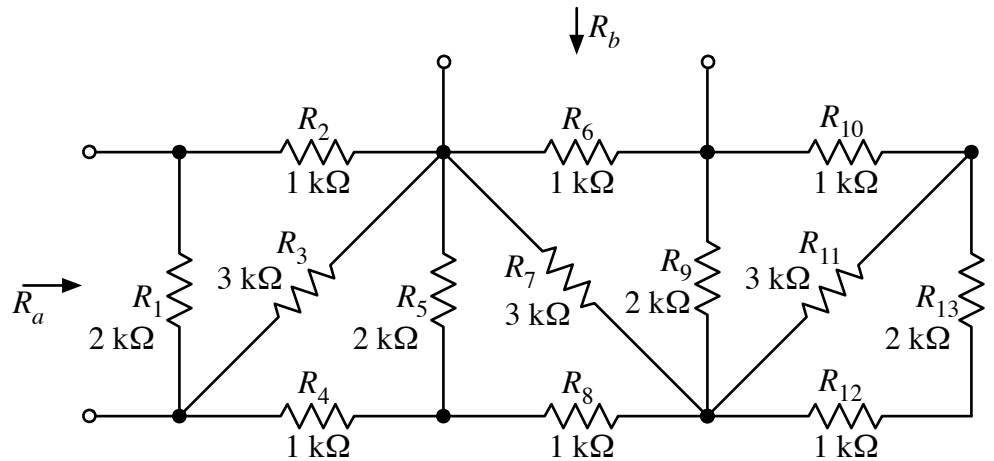
- a. For the circuit at right, calculate the equivalent resistance R_a as seen from the left “port”. Then calculate R_b as seen from the right port.



$R_a =$ _____

$R_b =$ _____

- b. For the circuit at right, calculate the equivalent resistance R_a as seen from the left “port”. Then calculate R_b as seen from the top port.



$R_a =$ _____

$R_b =$ _____