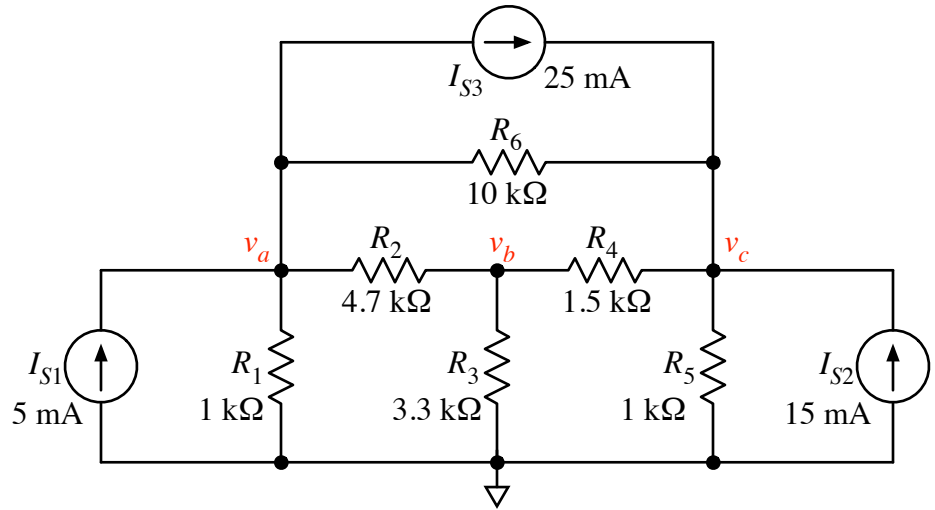


Using the node-voltage method, calculate the voltages at the three nodes with the respect to ground, as indicated in the circuit.



$v_a =$ _____ $v_b =$ _____ $v_c =$ _____