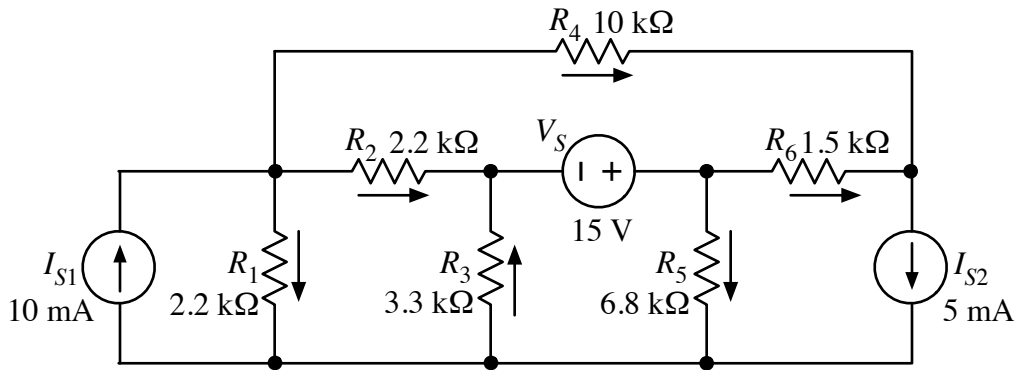


Use the node-voltage method to calculate the current flowing in each of the resistors in the circuit below. Choose the ground carefully.



$i_{R1} =$ _____ ; $i_{R2} =$ _____ ; $i_{R3} =$ _____

$i_{R4} =$ _____ ; $i_{R5} =$ _____ ; $i_{R6} =$ _____